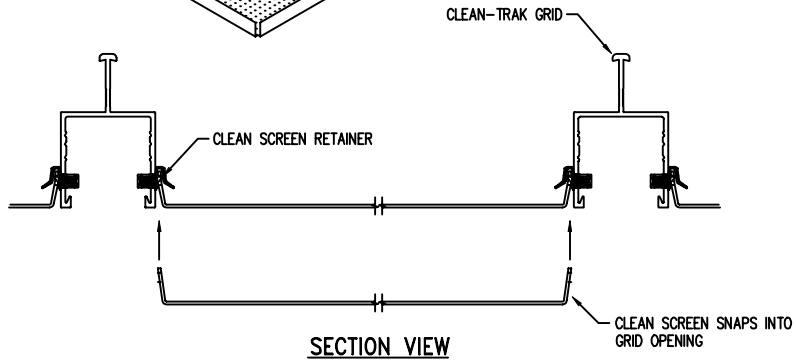
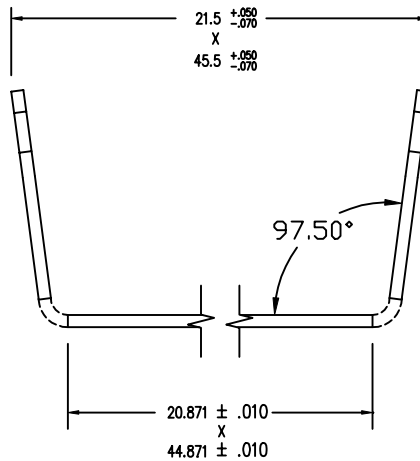


CLEAN SCREEN




THESE DIMENSIONS ARE NOMINALLY 0.1" LARGER THAN THE GRID OPENING TO ENSURE THAT OUTER LEGS ARE AGAINST GRID MEMBER.



DIMENSIONS SHOWN HERE ARE FOR A CLEANSCREEN FOR STANDARD 24"x48" NOMINAL GRID ON CENTERS FOR 2.6 CLEAN-TRAK GRID.

NOT TO SCALE

FILE NAME: CleanScreenAssembly.dwg				TOLERANCES UNLESS OTHERWISE SPECIFIED		DRAWN BY: GS		 11241 S. E. HIGHWAY 212 CLACKAMAS OR 97015 Phone (503) 557-4500 Fax (503) 557-4501	
REV.	DATE	BY	DESCRIPTION	FRACTIONS : ±1/32		ISSUED ON: 6/10/97		TITLE: CLEAN SCREEN ASSEMBLY	
				0.0 : ±0.1		CHECKED BY:			
				0.00 : ±0.03		SCALE:		SIZE: A DRAWING NO.:	
THIS DRAWING IS THE PROPERTY OF CLEANPAK AND CAN NOT BE REPRODUCED IN WHOLE OR IN PART, NOR DELIVERED TO OTHERS WITHOUT THE EXPRESS WRITTEN PERMISSION OF CLEANPAK.				0.000 : ±0.010				JOB NO.:	
				0.0000 : GIVEN		ANGLES : ±0.5°		SHEET OF	