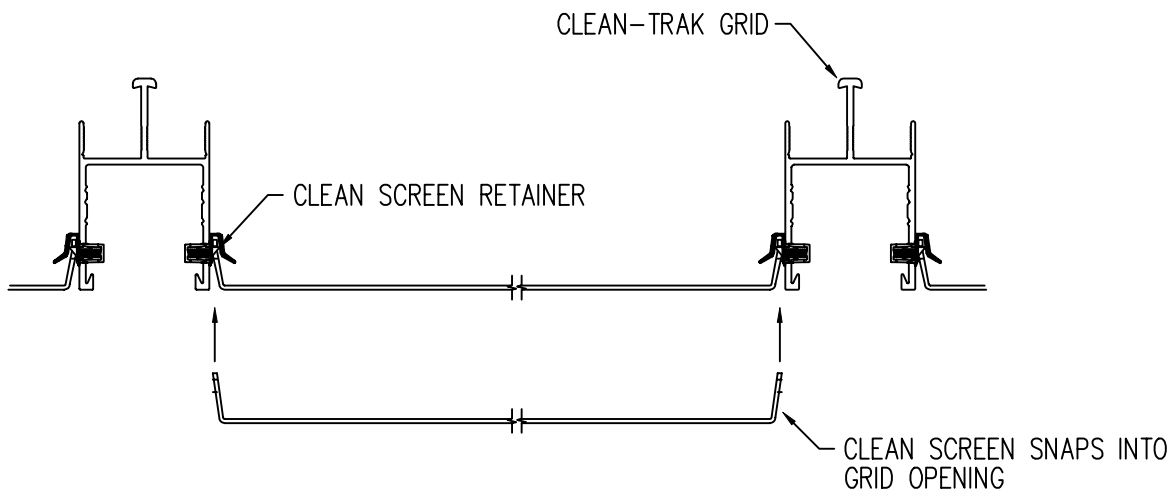



CLEAN SCREEN



SECTION VIEW

FILE NAME: CS-ASSY2				TOLERANCES UNLESS OTHERWISE SPECIFIED	DRAWN BY: GREGG SNYDER	 11241 S. E. HIGHWAY 212 CLACKAMAS OR 97015 Phone (503) 557-4500 Fax (503) 557-4501
REV.	DATE	BY	DESCRIPTION		ISSUED ON: 2/22/94	
				FRACTIONS : ±1/32	CHECKED BY:	
				0.0 : ±0.1		
				0.00 : ±0.03		
				0.000 : ±0.010		
THIS DRAWING IS THE PROPERTY OF CLEANPAK AND CAN NOT BE REPRODUCED IN WHOLE OR IN PART, NOR DELIVERED TO OTHERS WITHOUT THE EXPRESS WRITTEN PERMISSION OF CLEANPAK.				0.0000 : GIVEN	SCALE: 1:1	SIZE: <b>A</b> DRAWING NO.:
				ANGLES : ±0.5°		JOB NO.: