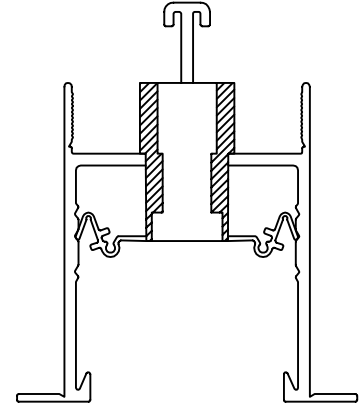
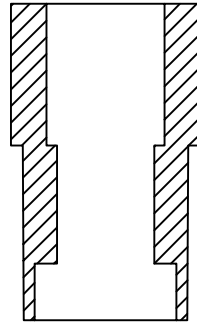


△ F

LEVEL	ITEM	PART NO. *=Stocked	TOTAL QTY.	SORT FIELD	DESCRIPTION	QTY. ONE	WELD	PAINT	SHEET
		34-00036		EQUAL PORT ASSY	EQUALIZER PORT ASSY	1			
	1	152-23-73		EQUALIZER PORT	1 RD ROD AL X 1.675	1	*		
	2	175-95-01		NUT WELL	.25 #13010 AUVECO WELL	1			
	3	131-37-50		SCREW SS	.25 X 1 PAN SLOT MS SS	1			
	4	134-00-73		WASHER 316SS	.25 FLAT 316SS	1			

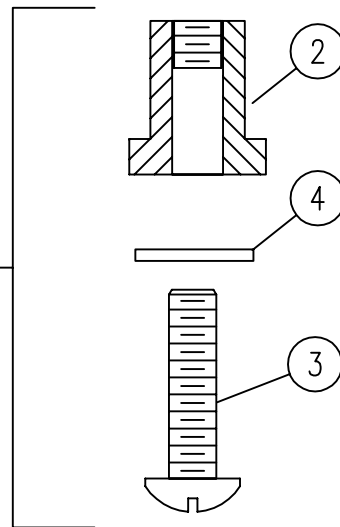



NOTE: USED WHEN ELECTRICAL WIREWAY IS LOCATED IN THE MIDDLE NOTCH OF THE CLEAN-TRAK GRID.

①

SECTION VIEW

EQUALIZER PORT KIT



FILE NAME: 34-05-00				TOLERANCES UNLESS OTHERWISE SPECIFIED		DRAWN BY: G SNYDER		 11241 S. E. HIGHWAY 212 CLACKAMAS OR 97015 Phone (503) 557-4500 Fax (503) 557-4501	
REV.	DATE	BY	DESCRIPTION	FRACTIONS : ±1/32		ISSUED ON: 4/23/97		TITLE: EQUALIZER PORT FOR CLEAN-TRAK GRID ONLY	
C	12/93		CHANGED DESIGN CONCEPT	0.0 : ±0.1		CHECKED BY:			
D	1/94		CHANGED PART NUMBER	0.00 : ±0.03		SCALE: 1:1			
E	3/94		CHANGED PART NUMBER	0.000 : ±0.010		SIZE: A		DRAWING NO.: 34-05-00	
F	4/97		CHANGED ASSY NUMBER	0.0000 : GIVEN		JOB NO.:		SHEET OF	
THIS DRAWING IS THE PROPERTY OF CLEANPAK AND CAN NOT BE REPRODUCED IN WHOLE OR IN PART, NOR DELIVERED TO OTHERS WITHOUT THE EXPRESS WRITTEN PERMISSION OF CLEANPAK.				ANGLES : ±0.5°					