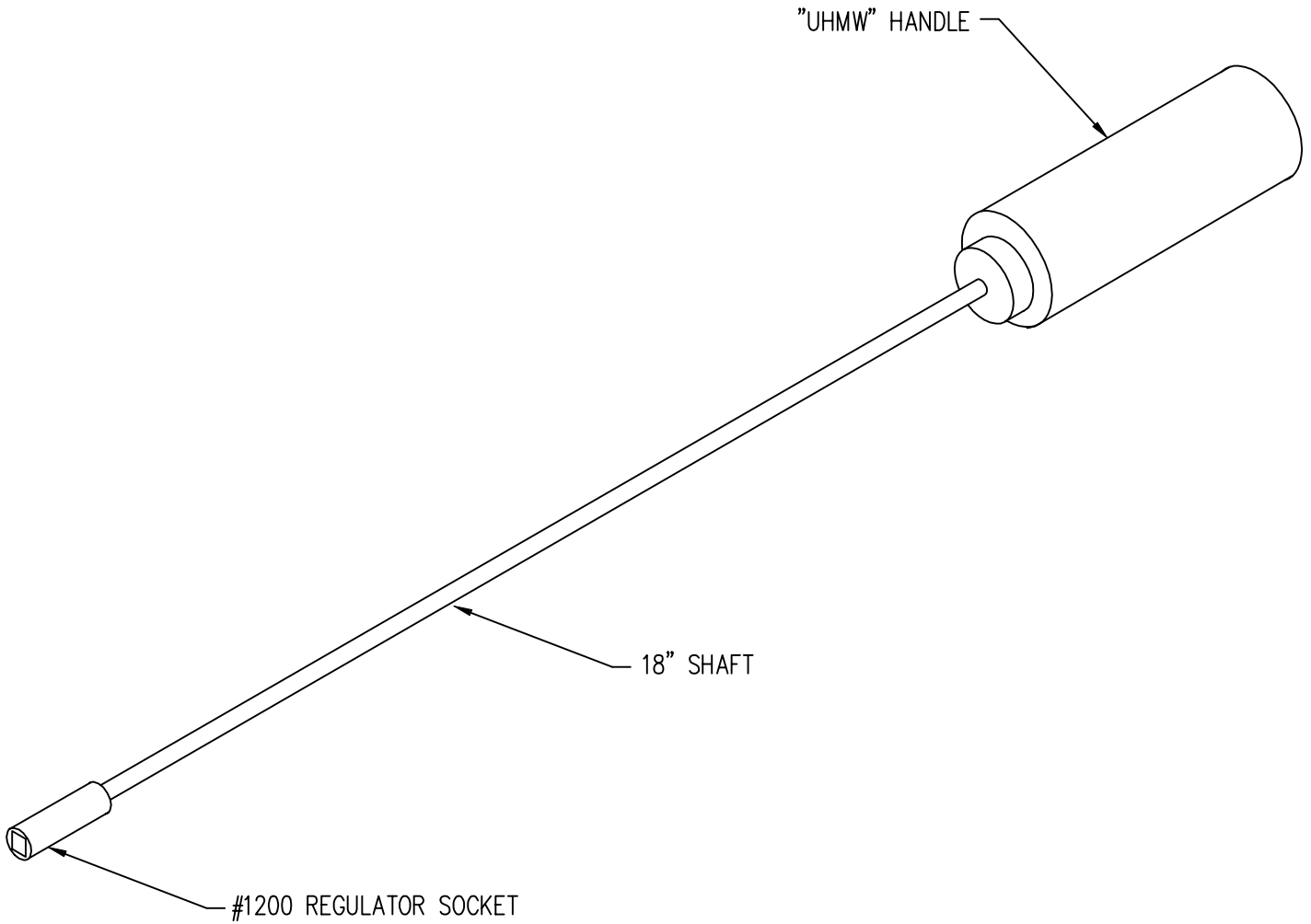



LEVEL	ITEM	PART NO. *=Stocked	TOTAL QTY.	SORT FIELD	DESCRIPTION	QTY. ONE	WELD	PAINT	SHEET
	1	177-55-90		EQUALIZER TOOL	EQUALIZER ADJUSTMENT TOOL 18"	1			



FILE NAME: 34-01-00				TOLERANCES UNLESS OTHERWISE SPECIFIED		DRAWN BY: STEVE LOCKWOOD		 11241 S. E. HIGHWAY 212 CLACKAMAS OR 97015 Phone (503) 557-4500 Fax (503) 557-4501	
REV.	DATE	BY	DESCRIPTION	FRACTIONS : ±1/32	ISSUED ON:	TITLE: EQUALIZER ADJUSTMENT TOOL 18"			
				0.0 : ±0.1	10/6/94				
				0.00 : ±0.03	CHECKED BY:				
				0.000 : ±0.010					
THIS DRAWING IS THE PROPERTY OF CLEANPAK AND CAN NOT BE REPRODUCED IN WHOLE OR IN PART, NOR DELIVERED TO OTHERS WITHOUT THE EXPRESS WRITTEN PERMISSION OF CLEANPAK.				0.0000 : GIVEN	SCALE:	SIZE: A	DRAWING NO.: 34-01-00		
				ANGLES : ±0.5°	1:2	JOB NO.:	SHEET OF		