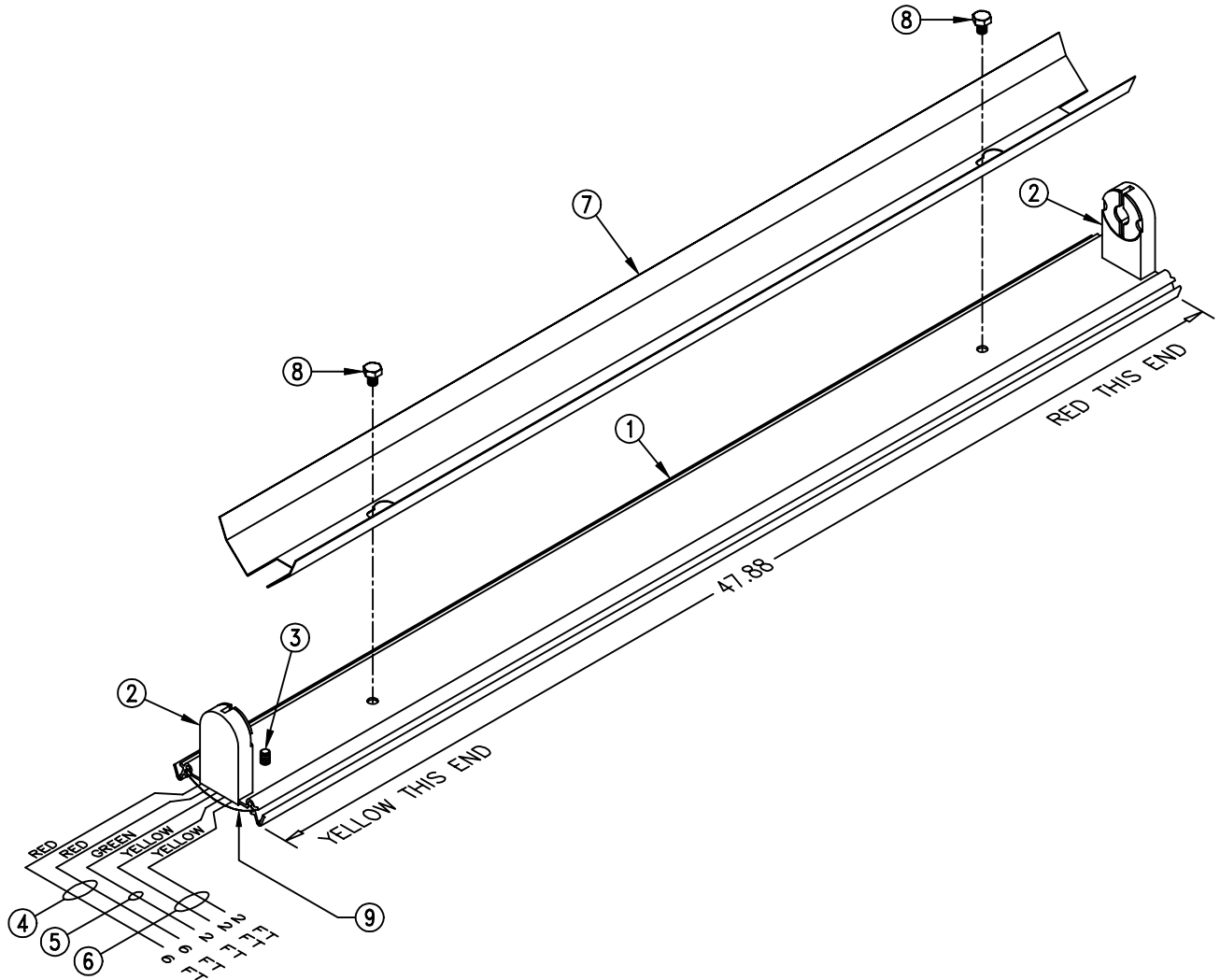



LEVEL	ITEM	* PART NO. =Stocked	QTY. TOTAL	DESCRIPTION	QTY. ONE	Weld Point	DWG. NO.
	0	32-00140		LIGHT FIXT ASSY 4FT TYPE 0	1		
	1	32-00100		LIGHT CLOSURE T8X47.88	1		32-55-11
		240-01-50		EXTR ELECTRICAL WIREWAY COVER	47.88IN		
	2	113-55-05		TOMBSTONE T8 HIGH PROF	2		
	3	113-82-00		SCR #10-32 GROUND RACO GREEN	1		
	4	113-98-39		WIRE TFN #18 SOLID RED	12FT		
	5	113-98-31		WIRE TFN #18 SOLID GREEN	2FT		
	6	113-98-30		WIRE TFN #18 SOLID YELLOW	4FT		
	7	113-77-44		REFLECTOR 4' OPTICAL T8X45.87	1		32-55-06
	8	131-11-59		SCR #10-32 X .25 HEX MS SS	2		
	9	110-00-78		ARC SEAL ALUMINUM .009 X 2	47.88IN		



FILE NAME: 32-70-40.dwg				TOLERANCES UNLESS OTHERWISE SPECIFIED		DRAWN BY: GREGG SNYDER		 11241 S. E. HIGHWAY 212 CLACKAMAS OR 97015 Phone (503) 557-4500 Fax (503) 557-4501	
REV.	DATE	BY	DESCRIPTION	FRACTIONS : ±1/32		ISSUED ON: 1/2/96		TITLE: LIGHT FIXT ASSY 4FT TYPE 0	
1	3/5/01	LN	UPDATED BOM DESC./REVISED DWG DETAILS	0.0 : ±0.1		CHECKED BY:		SIZE: A DRAWING NO.: 32-70-40	
				0.00 : ±0.03		SCALE:		JOB NO.:	
				0.000 : ±0.010				SHEET OF	
THIS DRAWING IS THE PROPERTY OF CLEANPAK AND CAN NOT BE REPRODUCED IN WHOLE OR IN PART, NOR DELIVERED TO OTHERS WITHOUT THE EXPRESS WRITTEN PERMISSION OF CLEANPAK.				0.0000 : GIVEN		ANGLES : ±0.5°			