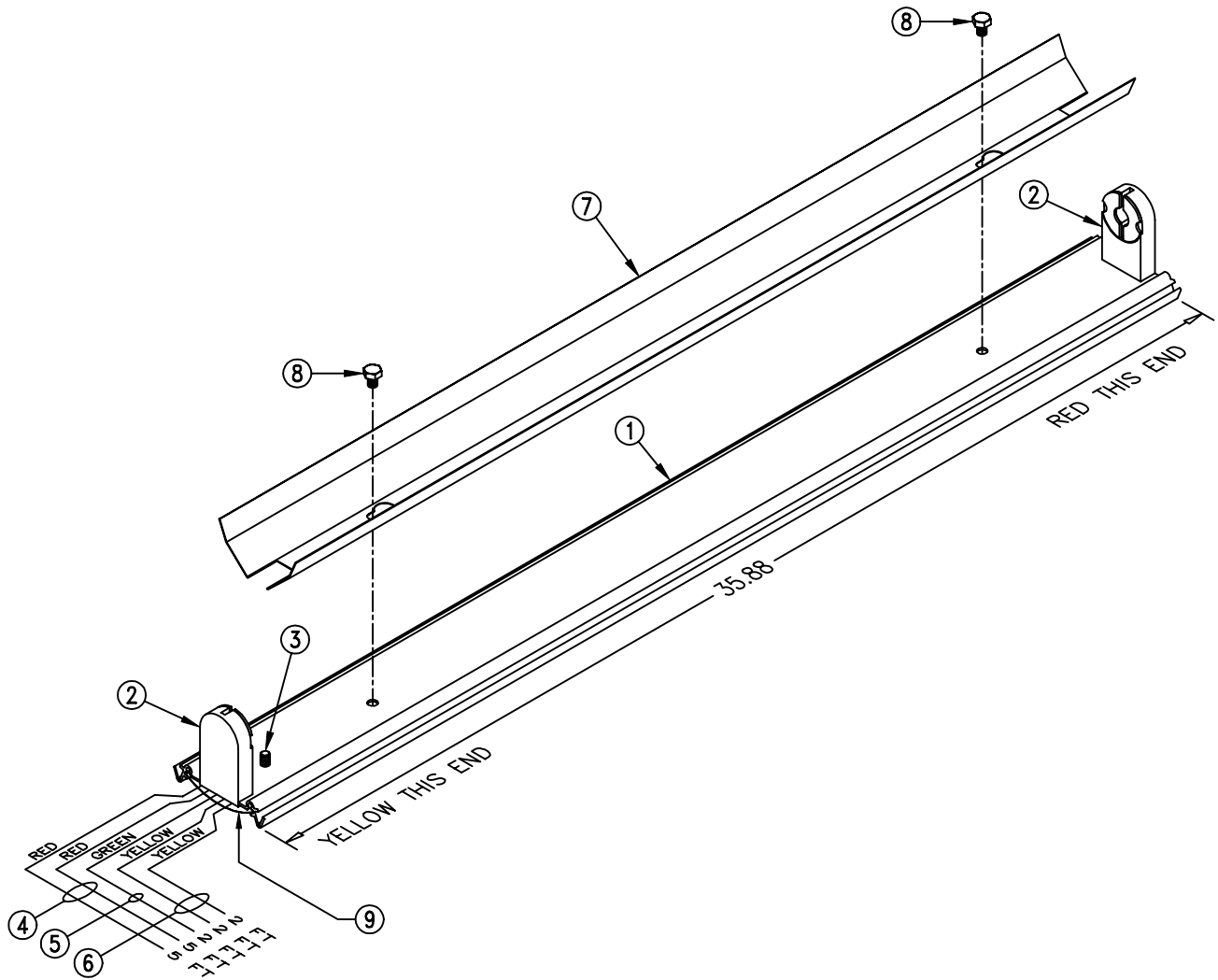



LEVEL	ITEM	* PART NO. =Stocked	QTY. TOTAL	DESCRIPTION	QTY. ONE	Weld Point	DWG. NO.
	0	32-00104		LIGHT FIXT ASSY 3FT TYPE H	1		
	1	32-00099		LIGHT CLOSURE T8X35.88	1	*	32-55-11
		240-01-50		EXTR ELECTRICAL WIREWAY COVER	35.88IN		
	2	113-55-05		TOMBSTONE T8 HIGH PROF	2		
	3	113-82-00		SCR #10-32 GROUND RACO GREEN	1		
	4	113-98-39		WIRE TFN #18 SOLID RED	10FT		
	5	113-98-31		WIRE TFN #18 SOLID GREEN	2FT		
	6	113-98-30		WIRE TFN #18 SOLID YELLOW	4FT		
	7	113-77-43		REFLECTOR 3' OPTICAL T8X33.87	1		32-55-06
	8	131-11-59		SCR #10-32 X .25 HEX MS SS	2		
	9	110-00-78		ARC SEAL ALUMINUM .009 X 2	35.88IN		



FILE NAME: 32-70-00.dwg				TOLERANCES UNLESS OTHERWISE SPECIFIED		DRAWN BY: GREGG SNYDER		 11241 S. E. HIGHWAY 212 CLACKAMAS OR 97015 Phone (503) 557-4500 Fax (503) 557-4501	
REV.	DATE	BY	DESCRIPTION	FRACTIONS : ±1/32		ISSUED ON: 1/2/96		TITLE: LIGHT FIXT ASSY 3FT TYPE H	
1	3/5/01	LN	UPDATED BOM DESC./REVISED DWG DETAILS	0.0 : ±0.1		CHECKED BY:		SIZE: A	
				0.00 : ±0.03		SCALE:		DRAWING NO.: 32-70-00	
THIS DRAWING IS THE PROPERTY OF CLEANPAK AND CAN NOT BE REPRODUCED IN WHOLE OR IN PART, NOR DELIVERED TO OTHERS WITHOUT THE EXPRESS WRITTEN PERMISSION OF CLEANPAK.				0.000 : ±0.010		JOB NO.:		SHEET OF	
				0.0000 : GIVEN		ANGLES : ±0.5°			