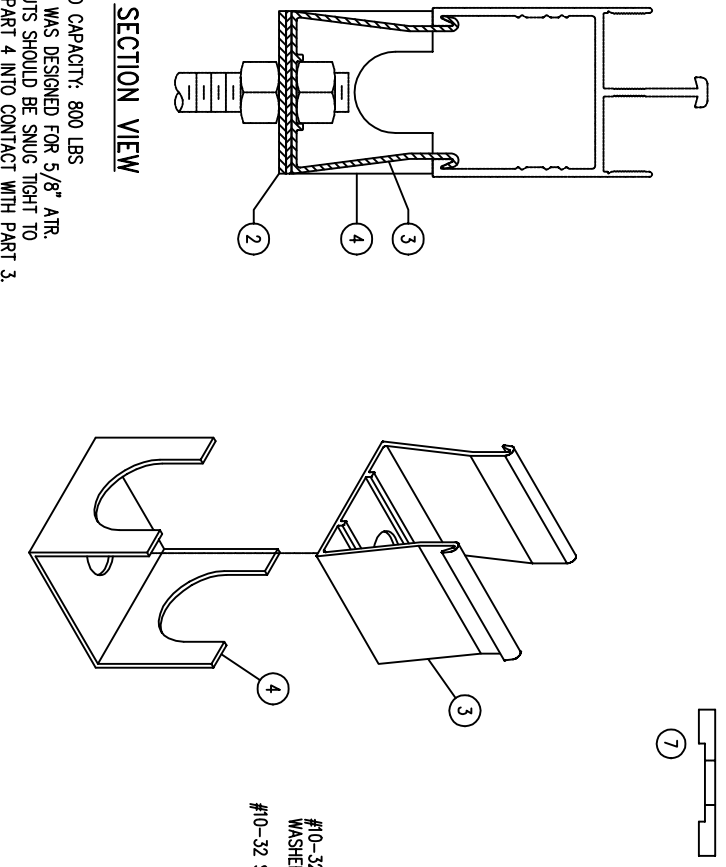


LEVEL	ITEM	PART NO. * = Stocked	QTY. TOTAL	DESCRIPTION	QTY. ONE	Weld Point	DWG. NO.
	0	27-00160		MONORAIL HNGR ASSY TYPE ID	1		
	1	27-00140		MONORAIL COVER PLATE ASSY	1		27-20-06
	2	27-00142		MONORAIL PLT 2.7X2.7 12GA EG	1		
		230-00-12		SHMTL 12GA GALVANNEAL A40/A60	0.051SF		
	3	27-00150		MONORAIL GRID HNGR BRKT #30947	1		27-20-02
	4	27-00151		MONORAIL GRID HNGR BRKT #30948	1		27-20-02
	5	175-85-73		PLASTIC TUBE / BAG 8" LENS BAGS	.25		
	6	102-05-13		PMDR COAT MISC PARTS WET WHITE	6		
	7	27-00166		MONORAIL WSHR 2.25SX.25 SLOT	1		
		230-05-61		FB .25 X 2.25	0.335SF		



SECTION VIEW

— LOAD CAPACITY: 800 LBS  
 — CLIP WAS DESIGNED FOR 5/8" ATR.  
 — JAM NUTS SHOULD BE SNUG TIGHT TO  
 BRING PART 4 INTO CONTACT WITH PART 3.

FILE NAME: 27-20-10.dwg	REV. DATE: 2/27/01	BY: LN	DESCRIPTION: UPDATED BOM, ADDED NEW PARTS
TOLERANCES UNLESS OTHERWISE SPECIFIED		DRAWN BY: BRIAN C	
FRACTIONS: ±1/32		ISSUED ON: 12/15/00	
0.0 : ±0.1		CHECKED BY:	
0.00 : ±0.03		SCALE:	
0.000 : ±0.010		SIZE: B	
0.0000 : GIVEN		JOB NO.: 27-20-10	
ANGLES : ±0.5°		DRAWING NO.: 27-20-10	
THIS DRAWING IS THE PROPERTY OF CLEANPAK AND CAN NOT BE REPRODUCED IN WHOLE OR IN PART NOR DELIVERED TO OTHERS WITHOUT THE EXPRESS WRITTEN PERMISSION OF CLEANPAK.		SHEET OF	

**CLEANPAK**  
 1934 S. K. HIGHWAY 288  
 CLACKAMAS, OR 97015  
 Phone (503) 597-4500  
 Fax (503) 597-4501

TITLE: MONORAIL HNGR ASSY TYPE ID  
 WITH SQUARE PMD COATED EG PLATE  
 WITH 1/4 PLATE INTERIOR WASHER  
 AMHS HANGER ASSEMBLY