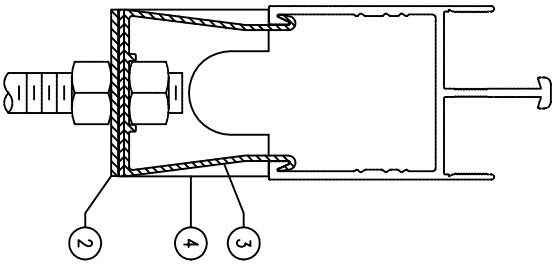
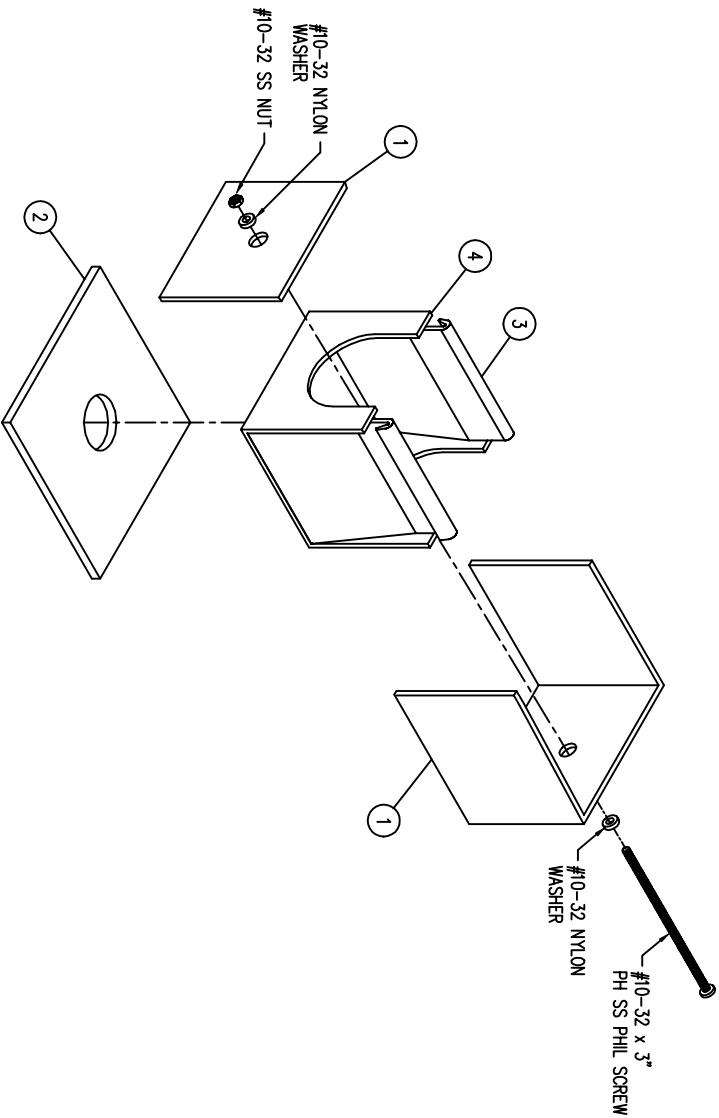
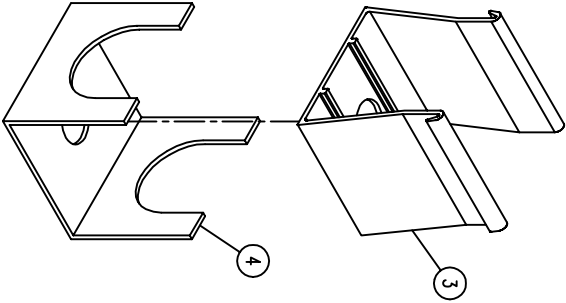


LEVEL	ITEM	PART NO. * = Stocked	QTY. TOTAL	DESCRIPTION	QTY. ONE	Weld Point	DWG. NO.
0	27-00139			MONORAIL HNGR ASSY TYPE IB	1		
1	27-00140			MONORAIL COVER PLATE ASSY	1		27-20-06
2	27-00141			MONORAIL PLT 2.7X2.7 12GA SS	1		
		230-00-15		SHMTL 12GA 304SS 2B	.051 SF		
3	27-00150			MONORAIL GRID HNGR BRKT #30947	1		27-20-02
4	27-00151			MONORAIL GRID HNGR BRKT #30948	1		27-20-02
5	175-85-73			PLASTIC TUBE/BAG 8" LENS BAGS	.25		



SECTION VIEW

- LOAD CAPACITY: 300 LBS
- CLIP WAS DESIGNED FOR 5/8" ATR.
- JAW NUTS SHOULD BE SNUG TIGHT TO BRING PART 4 INTO CONTACT WITH PART 3.
- JAW NUTS TO BE PROVIDED BY OTHERS.



FILE NAME: 27-20-05.dwg	DESCRIPTION	TOLERANCES UNLESS OTHERWISE SPECIFIED	DRAWN BY: GREGG SWYDER	ISSUED ON: 4/11/96	SCALE: B	SIZE: B	DRAWING NO.: 27-20-05
REV. DATE	BY	BY	BY	BY	BY	BY	BY
1/12/00	hll	hll	hll	hll	hll	hll	hll
2/27/01	LN	LN	LN	LN	LN	LN	LN
5/14/01	LN	LN	LN	LN	LN	LN	LN
REVISIONS CREATED PART NO. FOR VISIBILITY		REVISIONS CREATED PART NO. FOR VISIBILITY		REVISIONS CREATED PART NO. FOR VISIBILITY		REVISIONS CREATED PART NO. FOR VISIBILITY	
UPDATED BOM, ADDED NEW PARTS		UPDATED BOM, ADDED NEW PARTS		UPDATED BOM, ADDED NEW PARTS		UPDATED BOM, ADDED NEW PARTS	
UPDATED BOM		UPDATED BOM		UPDATED BOM		UPDATED BOM	
THIS DRAWING IS THE PROPERTY OF CLEANPAK AND CAN NOT BE REPRODUCED IN WHOLE OR IN PART NOR DELIVERED TO OTHERS WITHOUT THE EXPRESS WRITTEN PERMISSION OF CLEANPAK.							

CLEANPAK
 1934 S. R. HIGHWAY 218
 CLACKAMAS CO. OR 97015
 Phone (503) 587-4500
 Fax (503) 587-4501

TITLE: MONORAIL HNGR ASSY TYPE IB WITH SQUARE SS PLATE AMHS HANGER ASSEMBLY