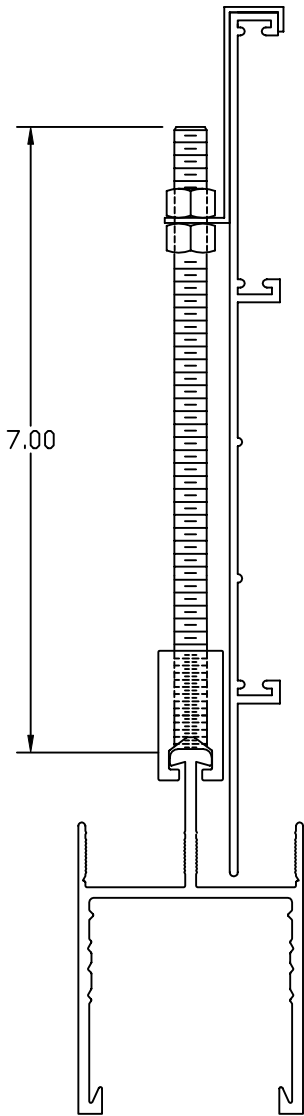
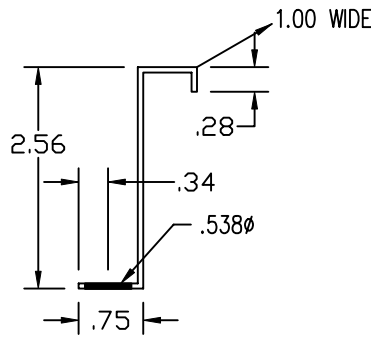


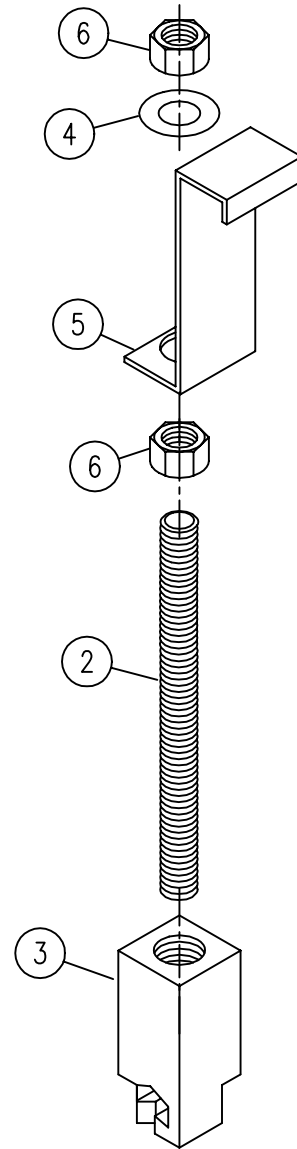
LEVEL	ITEM	PART NO. * = Stocked	TOTAL QTY.	SORT FIELD	DESCRIPTION	QTY. ONE	WELD	PAINT	SHIP	SHEET
	1	240-02-01		EXTR ASSY	HOLD DOWN BRACKET	1				
	2	175-72-90		ATR	.375 NC ATR RH GR2 X 7.00 PLTD	1				
	3	240-01-97		EXTR BRKT	TWIST ON HANG BRACKET	1				28-05-02
	4	175-72-98		GAPLUG	PLASTIC GAPLUG FOR HOLD DOWN	1				
	5	175-72-97		HOLD DOWN BRKT	HOLD DOWN SPRING STEEL CLIP	1				
	6	*125-00-52		NUT PLTD	.375 X NC FIN HEX NUT PLTD	2				1




SECTION VIEW



NOTES:
 MATERIAL: 1050 ANNEALED
 SPRING STEEL
 HEAT TREAT: RC 45 TO 50
 RADIUS: .031 TYP.
 FINISH: BRITE NICKLE AND BAKE



FILE NAME: F:\stds\clean-pak\27\27-16-01			TOLERANCES	DRAWN BY:		11241 S. E. HIGHWAY 212 CLACKAMAS OR 97015 Phone (503) 557-4500 Fax (503) 557-4501	
REV.	DATE	BY	UNLESS OTHERWISE SPECIFIED	GREGG SNYDER		TITLE:	HOLD DOWN BRACKET FOR RETURN AIR / BLANK CANS WITH HINGED ACCESS
			FRACTIONS : ±1/32	ISSUED ON:	DRAWING NO.: 27-16-01	SIZE: A	
			0.0 : ±0.1	8/31/95		JOB NO.:	SHEET OF
			0.00 : ±0.03	CHECKED BY:			
			0.000 : ±0.010	SCALE:			
			0.0000 : GIVEN	1:1			
			ANGLES : ±0.5°				
THIS DRAWING IS THE PROPERTY OF CLEANPAK AND CAN NOT BE REPRODUCED IN WHOLE OR IN PART, NOR DELIVERED TO OTHERS WITHOUT THE EXPRESS WRITTEN PERMISSION OF CLEANPAK.							