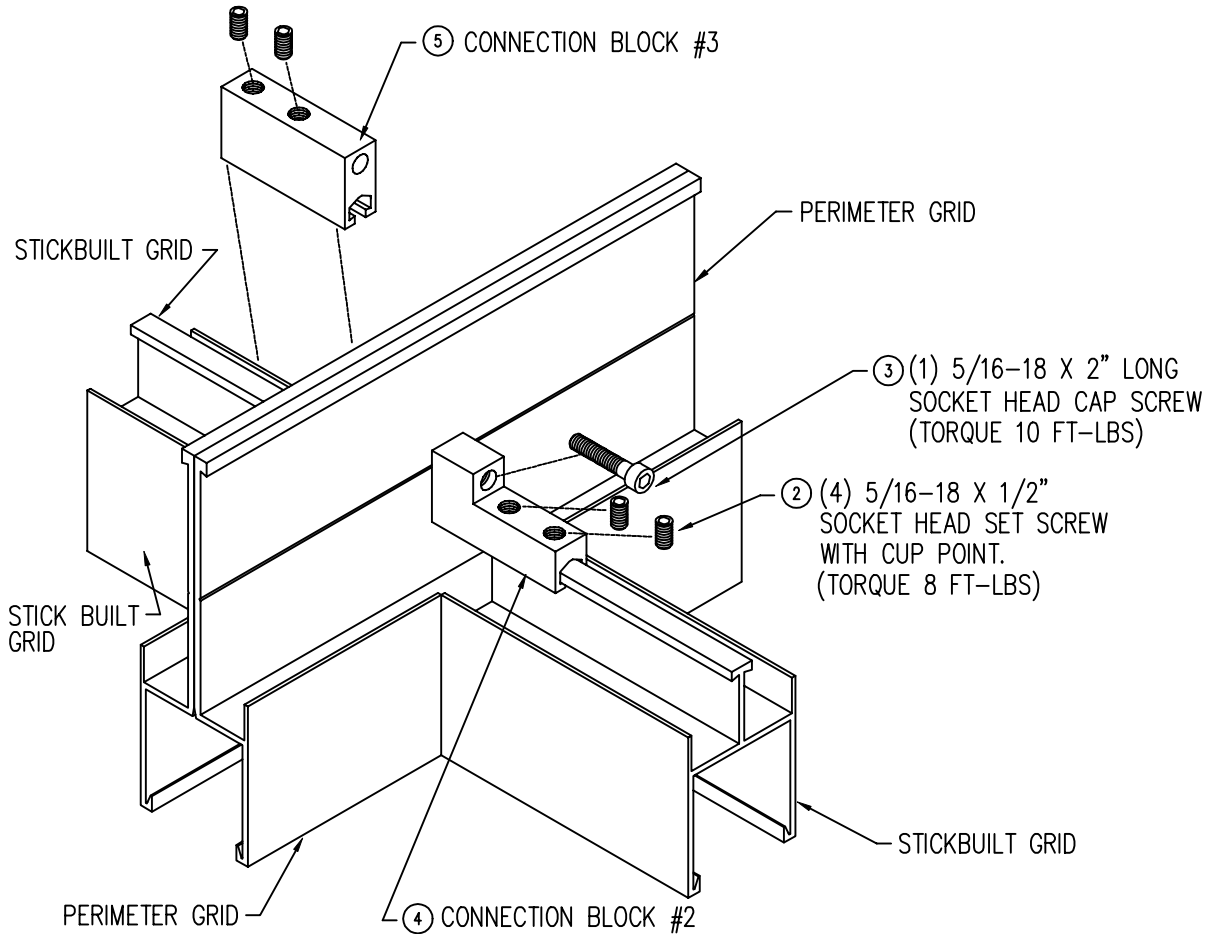



LEVEL	ITEM	PART NO. * = Stocked	TOTAL QTY.	SORT FIELD	DESCRIPTION	QTY. ONE	WELD	PAINT	SHEET
	1	240-02-86		BLOCK ASSY E	HANG BLOCK ASSY E	1			
	2	* 131-43-71		BOLT PLTD	.3125 X .5 NC SOC SET PLTD	4			
	3	131-46-66		BOLT PLTD	.3125 X 2 NC SOC PLTD	1			
	4	240-01-79		EXTR BRKT	BRKT HANG STICK BUILT BLOCK #2	1			27-15-01
	5	240-01-96		EXTR BRKT	BRKT HANG STICK BUILT BLOCK #3	1			27-15-01



PERIMETER CONNECTION

FILE NAME: F:\stds\clean-pak\27\27-15-07			TOLERANCES UNLESS OTHERWISE SPECIFIED	DRAWN BY: GREE SNYDER	 11241 S. E. HIGHWAY 212 CLACKAMAS OR 97015 Phone (503) 557-4500 Fax (503) 557-4501
REV.	DATE	BY		DESCRIPTION	
				CHECKED BY:	TITLE: STICK BUILT HANGING BLOCK ASSEMBLY "E" CONT GRID W/ 2 ADJ STICKS
				SCALE: 1:1	SIZE: A DRAWING NO.: 27-15-07
THIS DRAWING IS THE PROPERTY OF CLEANPAK AND CAN NOT BE REPRODUCED IN WHOLE OR IN PART, NOR DELIVERED TO OTHERS WITHOUT THE EXPRESS WRITTEN PERMISSION OF CLEANPAK.				JOB NO.:	SHEET OF