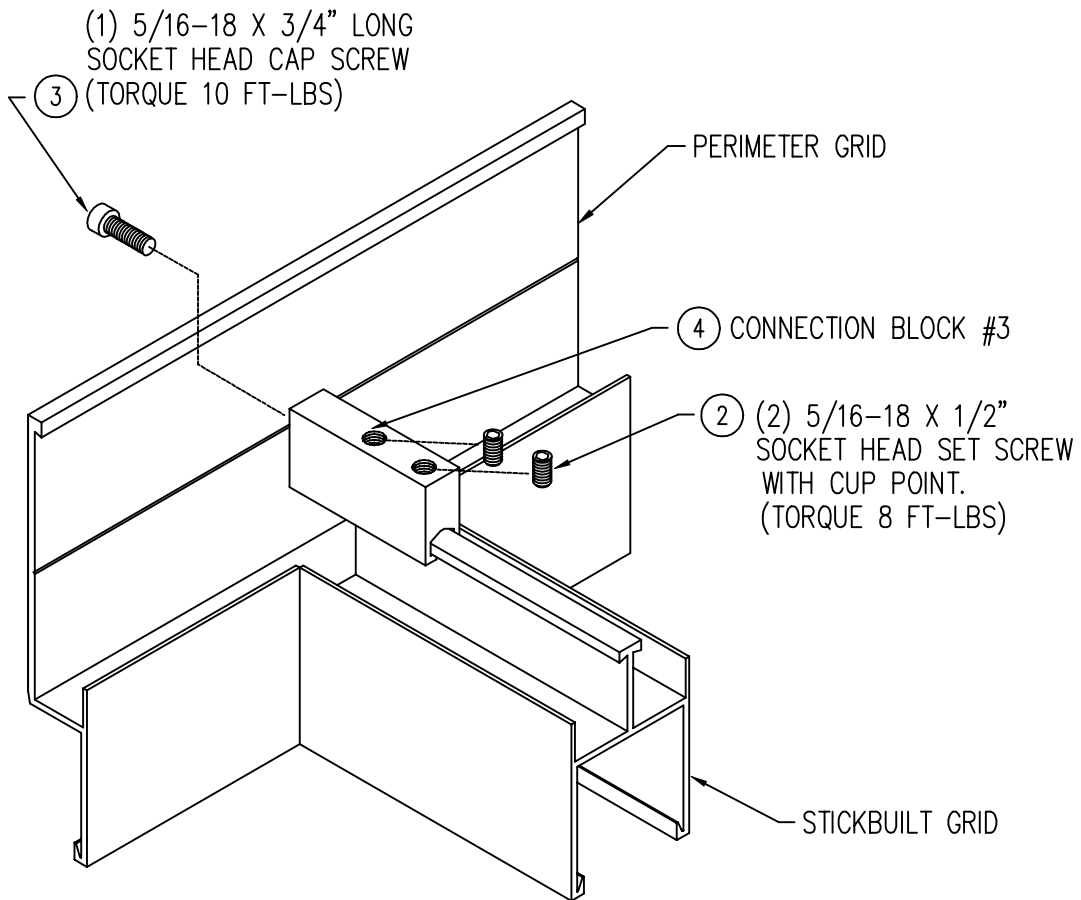



LEVEL	ITEM	PART NO. *=Stocked	TOTAL QTY.	SORT FIELD	DESCRIPTION	QTY. ONE	WELD PAINT	SHEET
	1	240-02-08		BLOCK ASSY D	HANG BLOCK ASSY D	1		
	2	* 131-43-71		BOLT PLTD	.3125 X .5 NC SOC SET PLTD	2		
	3	131-45-15		BOLT PLTD	.3125 X .75 NC SOC PLTD	1		
	4	240-01-96		EXTR BRKT	BRKT HANG STICK BUILT BLOCK #3	1		27-15-01



PERIMETER CONNECTION

FILE NAME: F:\stds\clean-pak\27\27-15-06			TOLERANCES	DRAWN BY:	 11241 S. E. HIGHWAY 212 CLACKAMAS OR 97015 Phone (503) 557-4500 Fax (503) 557-4501
REV.	DATE	BY	UNLESS OTHERWISE SPECIFIED	JOE BOSS	
			FRACTIONS : ±1/32	ISSUED ON:	TITLE: STICK BUILT BLOCK CONNECTION ASSEMBLY "D" PERIMETER TO INTERIOR STICK
			0.0 : ±0.1	4/15/95	
			0.00 : ±0.03	CHECKED BY:	SIZE: A DRAWING NO.: 27-15-06 JOB NO.: SHEET OF
			0.000 : ±0.010	SCALE:	
THIS DRAWING IS THE PROPERTY OF CLEANPAK AND CAN NOT BE REPRODUCED IN WHOLE OR IN PART, NOR DELIVERED TO OTHERS WITHOUT THE EXPRESS WRITTEN PERMISSION OF CLEANPAK.			0.0000 : GIVEN	1:1	
			ANGLES : ±0.5°		