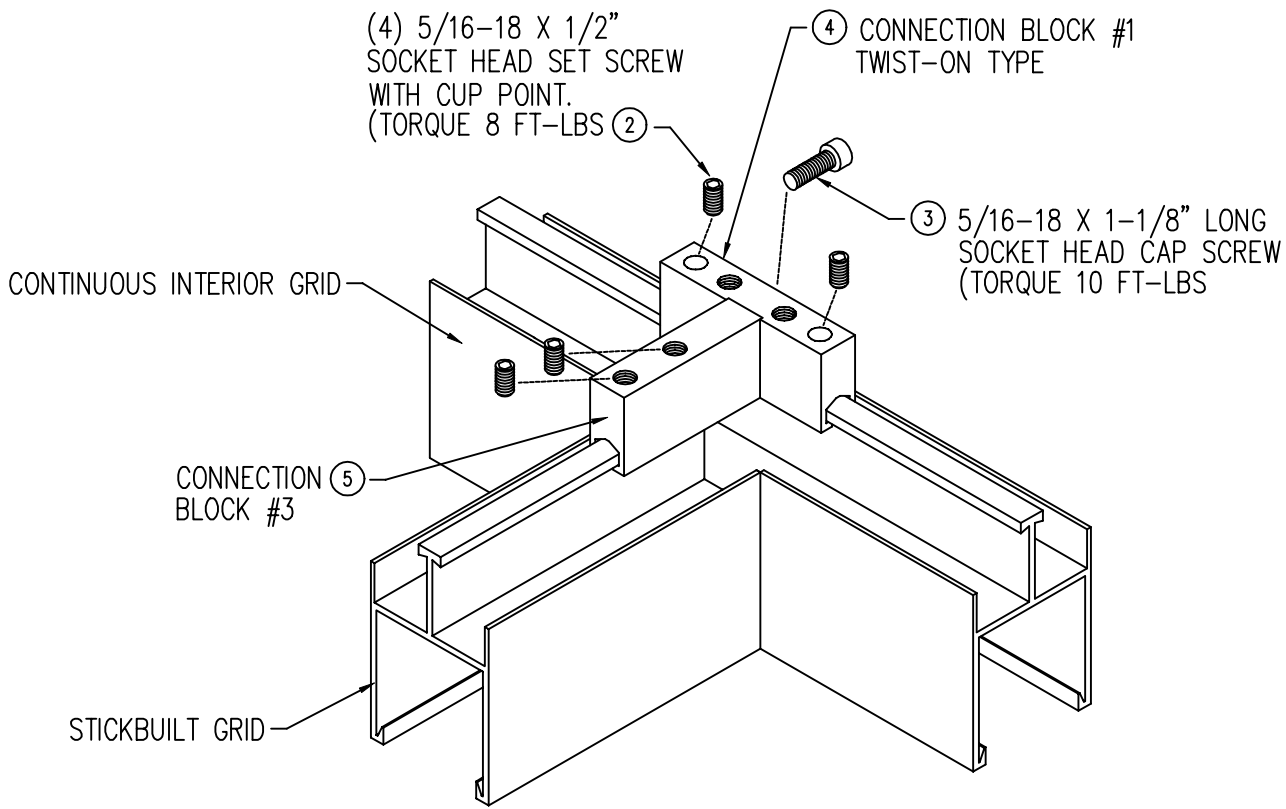



LEVEL	ITEM	PART NO. * = Stocked	TOTAL QTY.	SORT FIELD	DESCRIPTION	QTY. ONE	WELD	PAINT	SHEET
	1	240-02-06		BLOCK ASSY C	HANG BLOCK ASSY C	1			
	2	* 131-43-71		BOLT PLTD	.3125 X .5 NC SOC SET PLTD	4			
	3	131-45-36		BOLT PLTD	.3125 X 1.125 NC SOC PLTD	1			
	4	240-01-67		EXTR BRKT	BRKT HANG STICK BUILT BLOCK #1	1			27-15-02
	5	240-01-96		EXTR BRKT	BRKT HANG STICK BUILT BLOCK #3	1			27-15-01



INTERIOR CONNECTION

FILE NAME: 27-15-05				TOLERANCES UNLESS OTHERWISE SPECIFIED		DRAWN BY: JOE BOSS		 11241 S. E. HIGHWAY 212 CLACKAMAS OR 97015 Phone (503) 557-4500 Fax (503) 557-4501	
REV.	DATE	BY	DESCRIPTION	FRACTIONS : ±1/32		ISSUED ON: 4/15/95		TITLE: STICK-BUILT HANGING BLOCK ASSEMBLY "C" CONT GRID W/ 1 ADJ STICK	
				0.0 : ±0.1		CHECKED BY:		SIZE: A DRAWING NO.: 27-15-05	
				0.00 : ±0.03		SCALE: 1:1		JOB NO.:	
				0.000 : ±0.010				SHEET OF	
THIS DRAWING IS THE PROPERTY OF CLEANPAK AND CAN NOT BE REPRODUCED IN WHOLE OR IN PART, NOR DELIVERED TO OTHERS WITHOUT THE EXPRESS WRITTEN PERMISSION OF CLEANPAK.				0.0000 : GIVEN		ANGLES : ±0.5°			