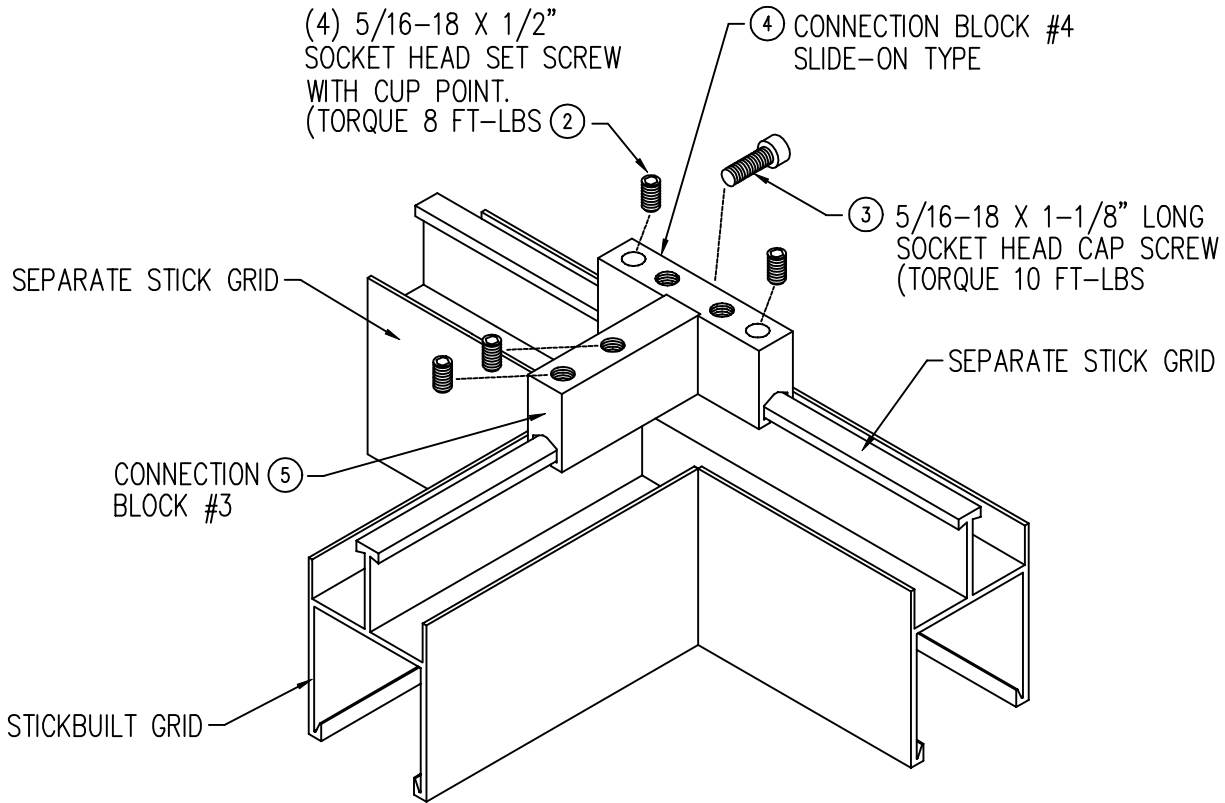



LEVEL	ITEM	PART NO. * = Stocked	TOTAL QTY.	SORT FIELD	DESCRIPTION	QTY. ONE	WELD	PAINT	SHEET
	1	240-02-05		BLOCK ASSY B	HANG BLOCK ASSY B	1			
	2	* 131-43-71		BOLT PLTD	.3125 X .5 NC SOC SET PLTD	4			
	3	131-45-36		BOLT PLTD	.3125 X 1.125 NC SOC PLTD	1			
	4	240-01-99		EXTR BRKT	BRKT HANG STICK BUILT BLOCK #4	1			27-15-01
	5	240-01-96		EXTR BRKT	BRKT HANG STICK BUILT BLOCK #3	1			27-15-01



INTERIOR CONNECTION

FILE NAME: 27-15-04				TOLERANCES UNLESS OTHERWISE SPECIFIED		DRAWN BY: GLS		 11241 S. E. HIGHWAY 212 CLACKAMAS OR 97015 Phone (503) 557-4500 Fax (503) 557-4501	
REV.	DATE	BY	DESCRIPTION	FRACTIONS : ±1/32	ISSUED ON:	TITLE: STICK-BUILT HANGING BLOCK ASSEMBLY "B" 3-WAY SEPARATE INTERSECTION			
				0.0 : ±0.1	4/15/95				
				0.00 : ±0.03	CHECKED BY:	SIZE: A DRAWING NO.: 27-15-04			
THIS DRAWING IS THE PROPERTY OF CLEANPAK AND CAN NOT BE REPRODUCED IN WHOLE OR IN PART, NOR DELIVERED TO OTHERS WITHOUT THE EXPRESS WRITTEN PERMISSION OF CLEANPAK.				0.000 : ±0.010	SCALE:	JOB NO.:		SHEET OF	
				0.0000 : GIVEN					
				ANGLES : ±0.5°					