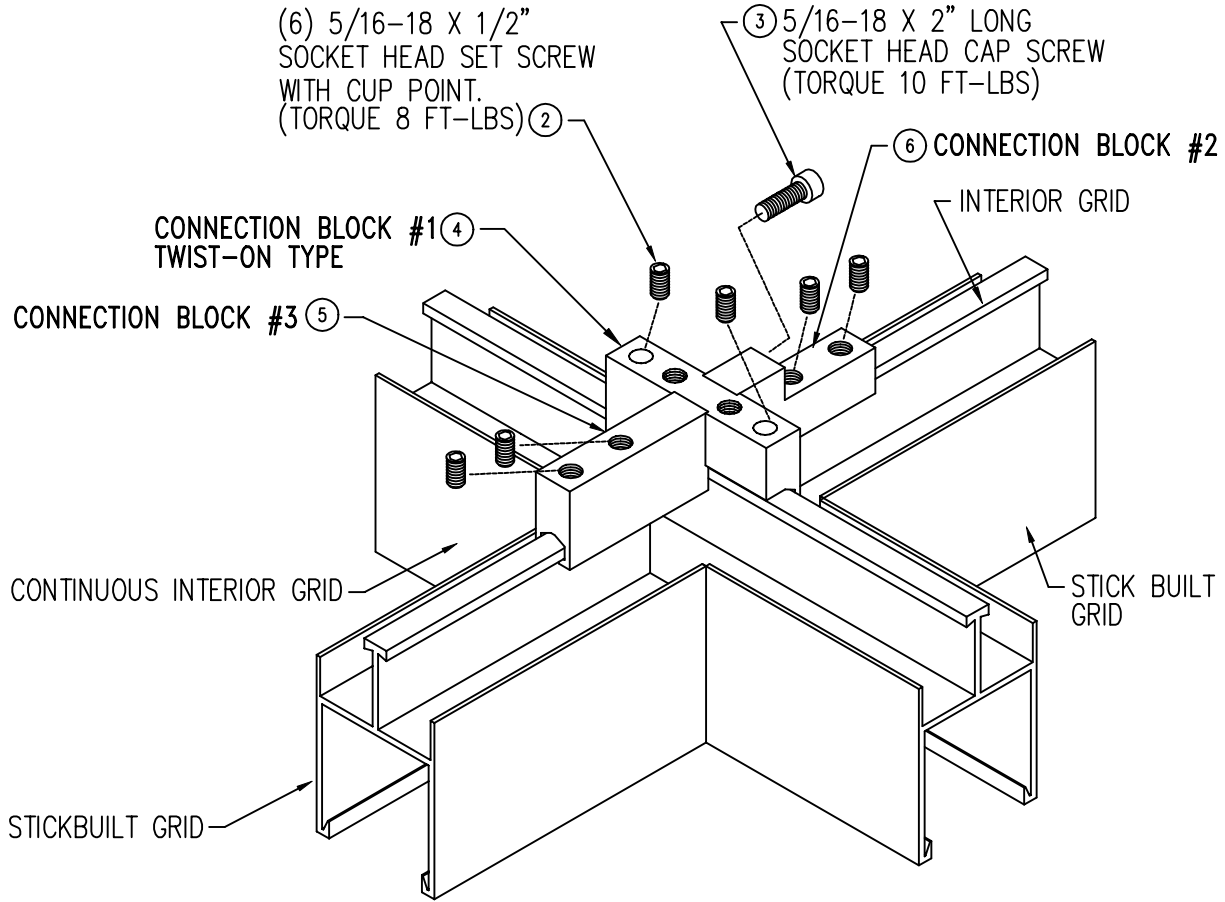



LEVEL	ITEM	PART NO. *=Stocked	TOTAL QTY.	SORT FIELD	DESCRIPTION	QTY. ONE	WELD	PAINT	SHEET
	1	240-02-02		BLOCK ASSY A	HANG BLOCK ASSY A	1			
	2	* 131-43-71		BOLT PLTD	.3125 X .5 NC SOC SET PLTD	6			
	3	131-46-66		BOLT PLTD	.3125 X 2 NC SOC PLTD	1			
	4	240-01-67		EXTR BRKT	BRKT HANG STICK BUILT BLOCK #1	1			27-15-02
	5	240-01-79		EXTR BRKT	BRKT HANG STICK BUILT BLOCK #2	1			27-15-01
	6	240-01-96		EXTR BRKT	BRKT HANG STICK BUILT BLOCK #3	1			27-15-01



INTERIOR CONNECTION ASSEMBLY "A"

FILE NAME: F:\stds\clean-pak\27\27-15-03			TOLERANCES	DRAWN BY:	 11241 S. E. HIGHWAY 212 CLACKAMAS OR 97015 Phone (503) 557-4500 Fax (503) 557-4501
REV.	DATE	BY	UNLESS OTHERWISE SPECIFIED	GREGG SNYDER	
			FRACTIONS : ±1/32	ISSUED ON:	TITLE:
			0.0 : ±0.1	4/15/95	STICK BUILT
			0.00 : ±0.03	CHECKED BY:	HANGING BLOCK ASSEMBLY "A"
			0.000 : ±0.010		CONT INT GRID W/ 2 ADJ STICKS
THIS DRAWING IS THE PROPERTY OF CLEANPAK AND CAN NOT BE REPRODUCED IN WHOLE OR IN PART, NOR DELIVERED TO OTHERS WITHOUT THE EXPRESS WRITTEN PERMISSION OF CLEANPAK.			0.0000 : GIVEN	SCALE:	SIZE: A
			ANGLES : ±0.5°	1:1	DRAWING NO.: 27-15-03
				JOB NO.:	SHEET OF