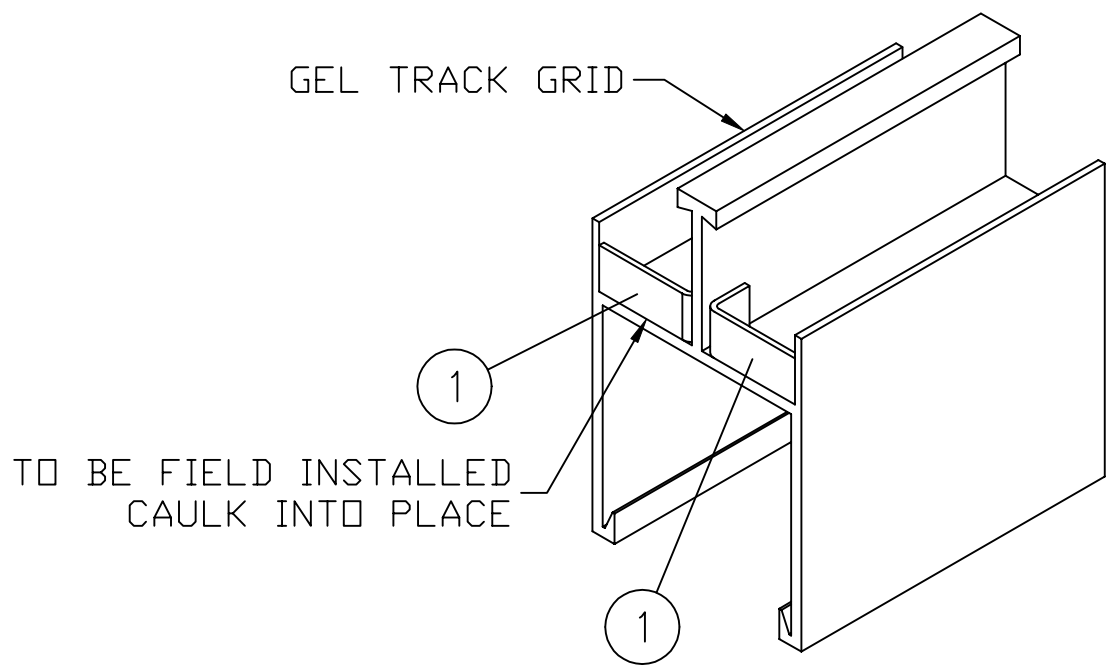



LEVEL	ITEM	PART NUMBER	TOTAL QTY.	DESCRIPTION	QTY. ONE	PAINT
	1	27-00004	2	GEL DAM .5 X 1.5 X 16GA 304SS	1	



FILE NAME: 27-10-06.dwg			TOLERANCES UNLESS OTHERWISE SPECIFIED	DRAWN BY: JAC	 11241 S. E. HIGHWAY 212 CLACKAMAS OR 97015 Phone (503) 557-4500 Fax (503) 557-4501
REV.	DATE	BY		DESCRIPTION	
				CHECKED BY:	
				SCALE:	SIZE: <b>A</b> DRAWING NO.: 27-10-06
THIS DRAWING IS THE PROPERTY OF CLEANPAK AND CAN NOT BE REPRODUCED IN WHOLE OR IN PART, NOR DELIVERED TO OTHERS WITHOUT THE EXPRESS WRITTEN PERMISSION OF CLEANPAK.			FRACTIONS : ±1/32 0.0 : ±0.1 0.00 : ±0.03 0.000 : ±0.010 0.0000 : GIVEN ANGLES : ±0.5°	JOB NO.:	SHEET OF