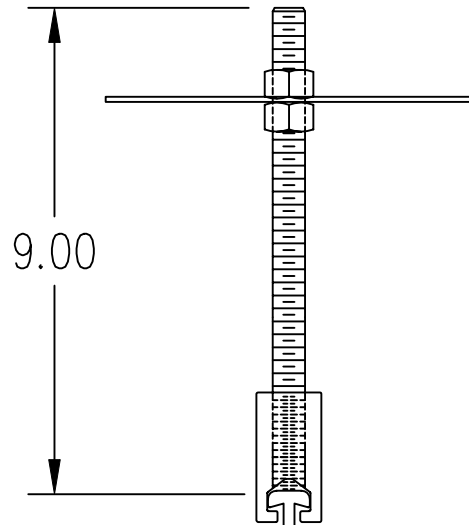
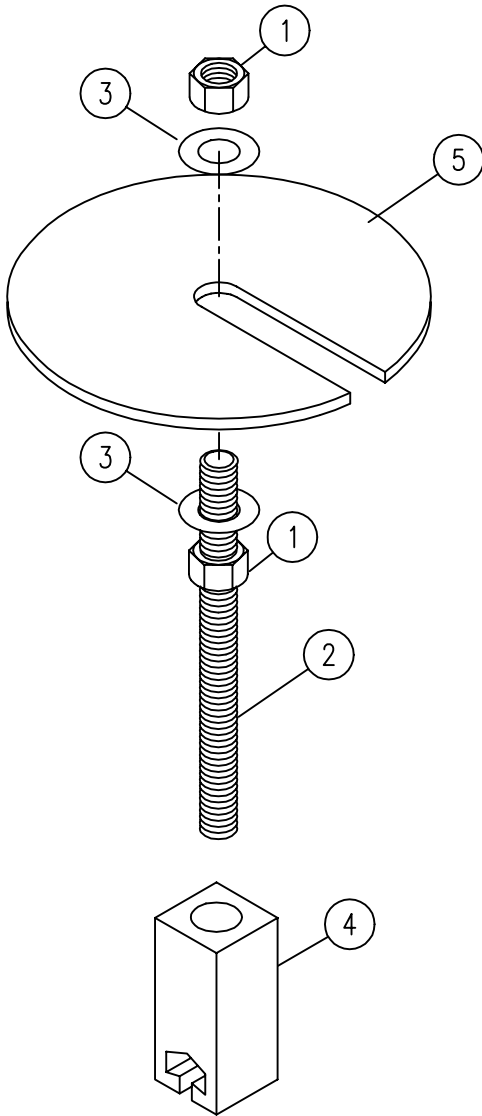
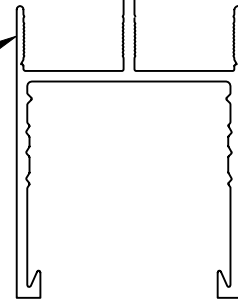


LEVEL	ITEM	* PART NO. =Stocked	QTY. TOTAL	DESCRIPTION	QTY. ONE	Weld	Paint	DWG. NO.
	0	27-00115		FILTER HOLD DOWN TYPE B INTERIOR	1			
	1	125-00-52		NUT .375 X NC FIN HEX PLTD	2			
	2	175-72-84		ATR .375 X 9" RH GR2 NC PLTD	1			
	3	134-00-24		WASHER .375 FLAT ZC USS	2			
	4	240-01-57		EXTR BRKT HANG RH	1			28-05-01
	7	175-72-85		PACMAN FILTER HOLD DOWN PLATE	1			27-01-15




BACK TO BACK  
PERIMETER GRID



SECTION VIEW

**TYPE B**  
**REQUIRED**

FILE NAME: 27-01-14.dwg				TOLERANCES UNLESS OTHERWISE SPECIFIED	DRAWN BY: JAC	 11241 S. E. HIGHWAY 212 CLACKAMAS OR 97015 Phone (503) 557-4500 Fax (503) 557-4501
REV.	DATE	BY	DESCRIPTION	FRACTIONS : ±1/32	ISSUED ON: 5/4/00	
1	10/01	WR	UPDATED BOM	0.0 : ±0.1	CHECKED BY:	SIZE: <b>A</b> DRAWING NO.: 27-01-14
THIS DRAWING IS THE PROPERTY OF CLEANPAK AND CAN NOT BE REPRODUCED IN WHOLE OR IN PART, NOR DELIVERED TO OTHERS WITHOUT THE EXPRESS WRITTEN PERMISSION OF CLEANPAK.				0.000 : ±0.03	SCALE:	JOB NO.:
				0.0000 : GIVEN		SHEET OF
				ANGLES : ±0.5°		