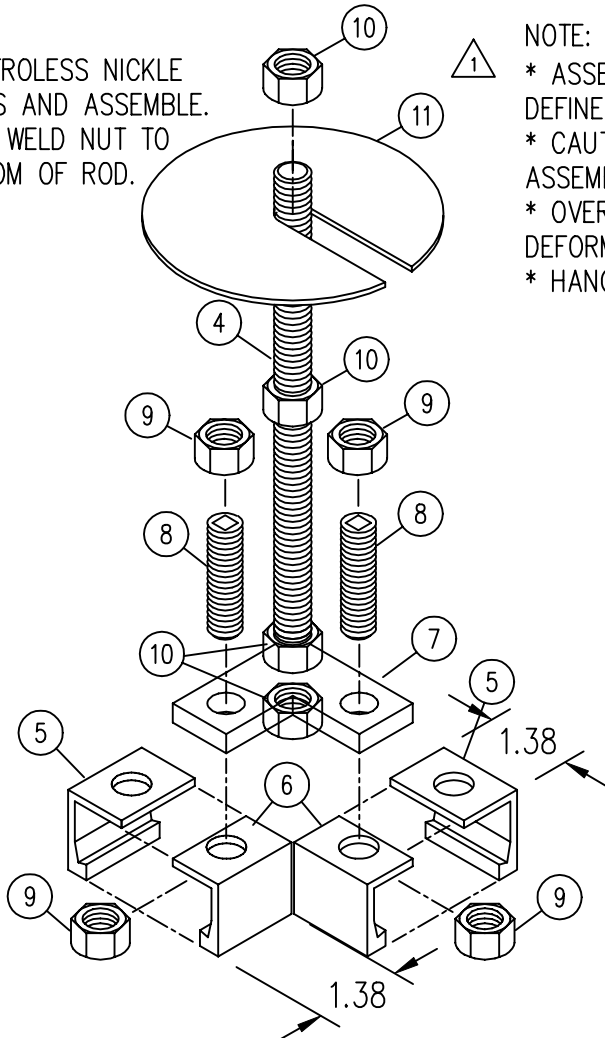


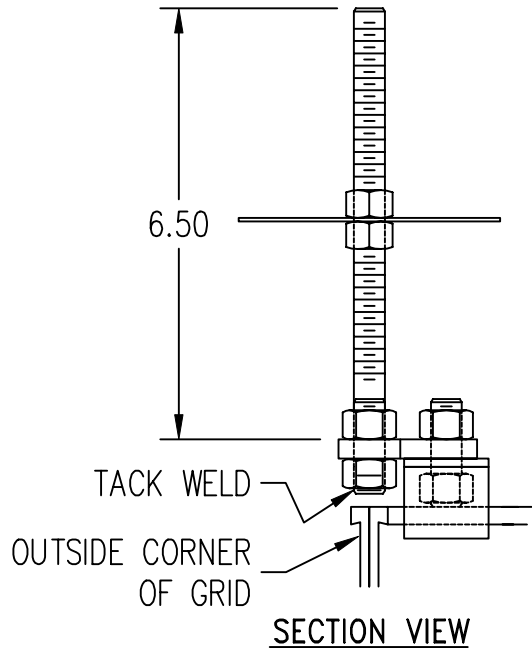
LEVEL	ITEM	* PART NO. =Stocked	QTY. TOTAL	DESCRIPTION	QTY. ONE	Weld	Paint	DWG. NO.
	1	27-00113		GRID HANGER TYPE 4A CORNER	1			
	2							
	3							
	4	175-72-81		ATR .50 X 7 NC LH GR2 PLAIN	1	*		
	5	27-00024		GRID HANGER 2.6 LH X 1.38"	2			27-00-22
	6	27-00025		GRID HANGER 2.6 RH X 1.38"	2			27-00-22
	7	27-00053		BRKLT GRID 2.25 X 2.25 X .50 PL	1	*		27-01-16
	8	131-63-76		BOLT .5 X 2.5 NC SOCSET ELECTRO	2			
	9	125-00-55		NUT .5 X NC FIN HX ZNC	4			
	10	125-50-24		NUT .5 X NC LH HEX PLTD	4			
	11	175-72-85		PACMAN FILTER HOLD DOWN PLATE	1			27-01-15

NOTE:  
ELECTROLESS NICKLE  
PARTS AND ASSEMBLE.  
TACK WELD NUT TO  
BOTTOM OF ROD.




NOTE:

- \* ASSEMBLY SHOULD BE TIGHTENED TO "SNUG TIGHT" AS DEFINED BY AISC.
- \* CAUTION SHOULD BE TAKEN NOT TO OVER-TORQUE THE ASSEMBLY.
- \* OVER-TORQUING THE ASSEMBLY CAN RESULT IN DEFORMATION OF THE ALUMINUM HANGERS.
- \* HANGERS THAT ARE DEFORMED SHOULD NOT BE USED.



**TYPE 4A**  
**REQUIRED**

ALLOWABLE LOAD RATING: 1.2 KIPS

FILE NAME: 27-01-11.dwg				TOLERANCES UNLESS OTHERWISE SPECIFIED		DRAWN BY: JAC		 11241 S. E. HIGHWAY 212 CLACKAMAS OR 97015 Phone (503) 557-4500 Fax (503) 557-4501	
REV.	DATE	BY	DESCRIPTION	FRACTIONS : ±1/32		ISSUED ON: 02-10-00		TITLE: GRID HANGER TYPE 4A CORNER CLEAN-TRAK 2.6	
1	10/01	WR	ADDED NOTES & UPDATED BOM	0.0 : ±0.1		CHECKED BY:		GRID SUSPENSION & GRID HOLDDOWN AT OUTSIDE PERIMETER CORNER	
				0.00 : ±0.03		SCALE:		SIZE: A DRAWING NO.: 27-01-11	
THIS DRAWING IS THE PROPERTY OF CLEANPAK AND CAN NOT BE REPRODUCED IN WHOLE OR IN PART, NOR DELIVERED TO OTHERS WITHOUT THE EXPRESS WRITTEN PERMISSION OF CLEANPAK.				0.0000 : GIVEN		JOB NO.:		SHEET OF	
				ANGLES : ±0.5°					