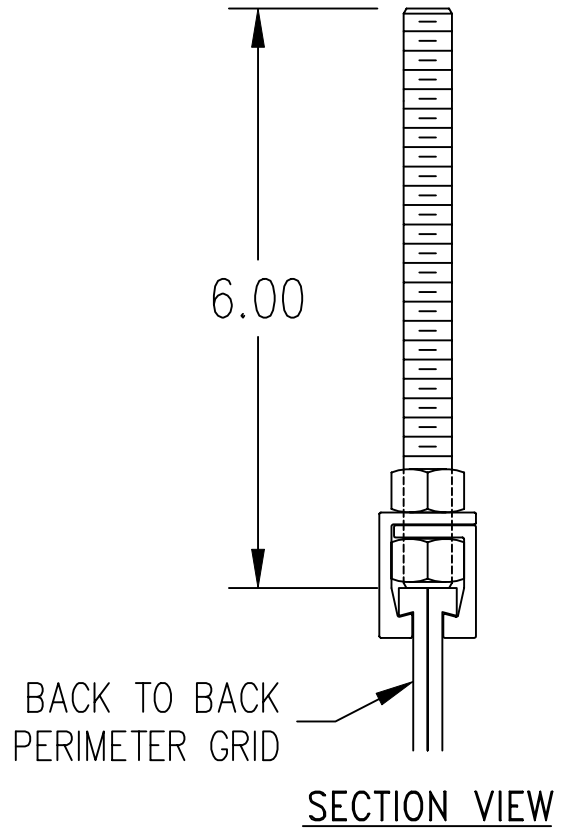
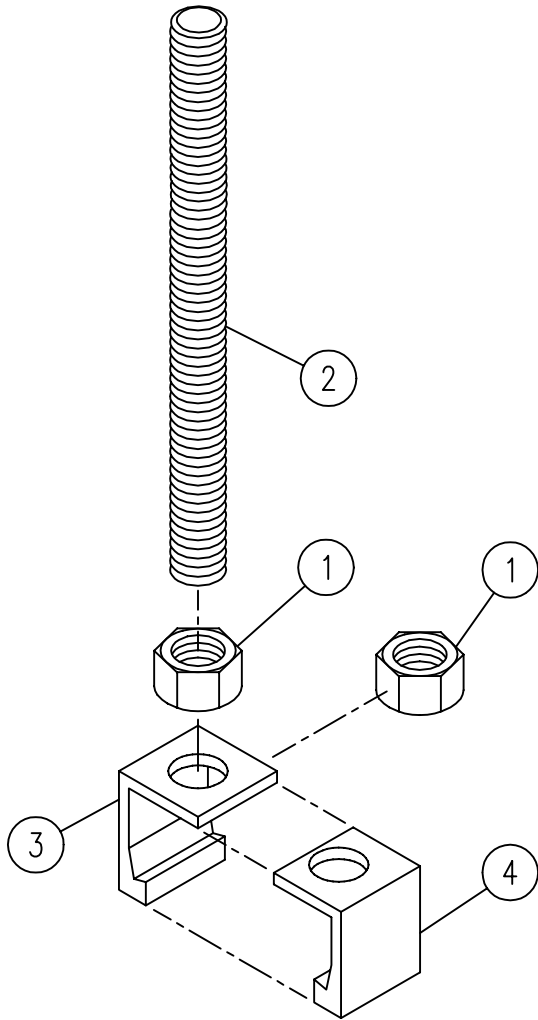



LEVEL	ITEM	* PART NO. =Stocked	QTY. TOTAL	DESCRIPTION	QTY. ONE	Weld	Paint	DWG. NO.
	0	27-00059		GRID PERIMETER SUSPEN ASSY	1			
	1	125-50-24		NUT .5 X NC LH HEX PLTD	2			
	2	175-72-54		ATR .5 X 6" LH GR2 PLTD	1			
	3	27-00020		GRID HANGER 2.6 LH X 1.00"	1			27-00-20
	4	27-00021		GRID HANGER 2.6 RH X 1.00"	1			27-00-20



REQUIRED

FILE NAME: F:\stds\clean-pak\27\27-01-05			TOLERANCES UNLESS OTHERWISE SPECIFIED		DRAWN BY: GREGG SNYDER		 11241 S. E. HIGHWAY 212 CLACKAMAS OR 97015 Phone (503) 557-4500 Fax (503) 557-4501	
REV.	DATE	BY	DESCRIPTION	FRACTIONS : ±1/32	ISSUED ON:	TITLE: CLEAN-TRAK 2.6 SUSPENSION ASSEMBLY AT GRID PERIMETER		
1	10/01	WR	UPDATED BOM	0.0 : ±0.1	7/19/94			
				0.00 : ±0.03	CHECKED BY:	SIZE: A	DRAWING NO.: 27-01-05	
THIS DRAWING IS THE PROPERTY OF CLEANPAK AND CAN NOT BE REPRODUCED IN WHOLE OR IN PART, NOR DELIVERED TO OTHERS WITHOUT THE EXPRESS WRITTEN PERMISSION OF CLEANPAK.				0.0000 : GIVEN	SCALE:	JOB NO.:	SHEET OF	
				ANGLES : ±0.5°				