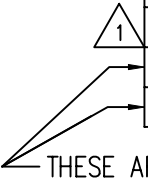
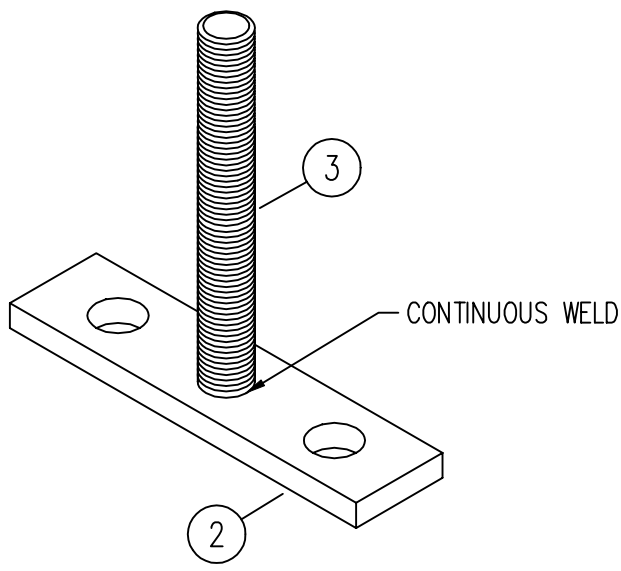



LEVEL	ITEM	* PART NO. =Stocked	QTY. TOTAL	DESCRIPTION	QTY. ONE	Weld Point	DWG. NO.
	1	27-00035		GRID SUSPEN'N STD BRKT ASSY	1	*	
	2	27-00038		BRKT GRID I 1.00X4.00X.25 PL	1	*	*
	3	175-72-78		ATR .5 X 4.00 NC GR2 LH PLTD	1	*	
	4	131-01-39		BOLT .3125 X 1 NC GR2 HEX PL	2		
	5	125-31-30		NUT .3125 NC WHIZLOCK ZNC	2		



THESE ARE USED TO BOLT THE BRKT TO THE GRID



FILE NAME: F:\stds\clean-pak\27\27-01-02				TOLERANCES UNLESS OTHERWISE SPECIFIED		DRAWN BY: GREGG SNYDER		 11241 S. E. HIGHWAY 212 CLACKAMAS OR 97015 Phone (503) 557-4500 Fax (503) 557-4501	
REV.	DATE	BY	DESCRIPTION	FRACTIONS : ±1/32		ISSUED ON:		TITLE:	
2	10/01	WR	UPDATED BOM	0.0 : ±0.1		3/8/95		CLEAN-TRAK SUSPENSION STD BRACKET ASSY	
1	03/97		CHANGER PART NUMBER	0.00 : ±0.03		CHECKED BY:			
				0.000 : ±0.010		SCALE:		SIZE: A DRAWING NO.: 27-01-02	
THIS DRAWING IS THE PROPERTY OF CLEANPAK AND CAN NOT BE REPRODUCED IN WHOLE OR IN PART, NOR DELIVERED TO OTHERS WITHOUT THE EXPRESS WRITTEN PERMISSION OF CLEANPAK.				0.0000 : GIVEN		JOB NO.:		SHEET OF	
				ANGLES : ±0.5°					